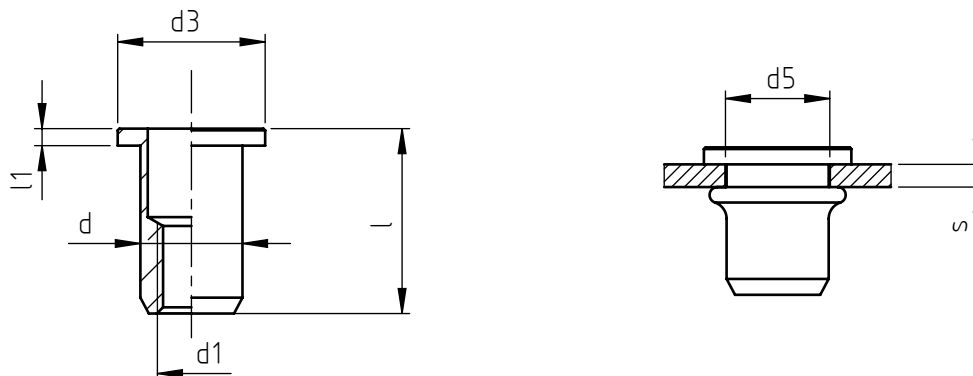


Application: metal and not metal sheets.
Assembly: with special hand or pneumatic tools.



code	s grip	l	d1	d	d3	l1	d5 +0,15 0
TC M 4/K	0,5 ÷ 2,0	12,0	M 4	6,0	9,0	1,0	6,0
TC M 5/K	0,5 ÷ 3,0	12,5	M 5	7,0	10,0	1,0	7,0
TC M 6/K	0,5 ÷ 3,0	16,0	M 6	9,0	12,0	1,5	9,0
TC/L M 6/K	3,0 ÷ 5,0	18,0					
TC M 8/K	0,5 ÷ 3,0	17,5	M 8	11,0	15,0	1,5	11,0
TC M10/K	0,8 ÷ 3,5	21,0	M10	13,0	17,0	1,5	13,0

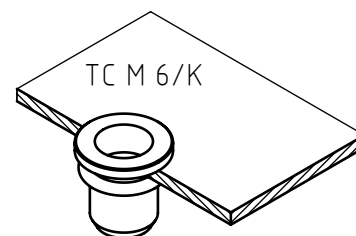
Non binding dimensions, expressed in mm.



Material: stainless steel AISI 316

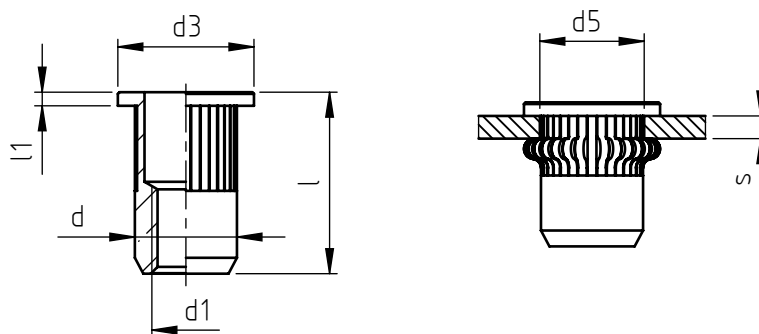
Finishing: natural

Example: blind threaded nut, cylindrical head,
round shank, stainless steel 316,
grip 2,0 mm, M 6 thread:
TC M 6/K



SPECIALINSERT® COMMITS ITSELF TO CONTINUOUSLY IMPROVE ITS PRODUCTS. IT RESERVES THE RIGHT TO CHANGE THEIR TECHNICAL AND STRUCTURAL CHARACTERISTICS WITHOUT PRIOR NOTICE. ALL RIGHTS ARE RESERVED AND THE DUPLICATION, EVEN PARTIAL, OF THESE DOCUMENTS, AS WELL AS ITS DISTRIBUTION TO THIRD PARTIES, ARE FORBIDDEN, UNLESS OTHERWISE AND EXPRESSLY AUTHORIZED BY SPECIALINSERT.

Application: metal and not metal sheets.
Assembly: with special hand or pneumatic tools.



code	s grip	l	d1	d	d3	l1	d5 +0,15 0
TC M 4/KZ	0,5 ÷ 2,0	12,0	M 4	6,0	9,0	1,0	6,0
TC M 5/KZ	0,5 ÷ 3,0	12,5	M 5	7,0	10,0	1,0	7,0
TC M 6/KZ	0,5 ÷ 3,0	16,0	M 6	9,0	12,0	1,5	9,0
TC/L M 6/KZ	3,0 ÷ 5,0	18,0					
TC M 8/KZ	0,5 ÷ 3,0	17,5	M 8	11,0	15,0	1,5	11,0
TC M10/KZ	0,8 ÷ 3,5	21,0	M10	13,0	17,0	1,5	13,0

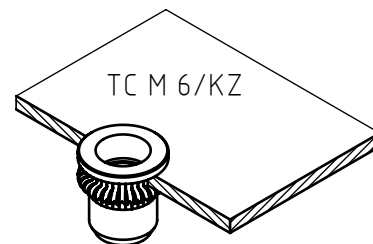
Non binding dimensions, expressed in mm.

Standard
 On demand
 Not manufactured

Material: stainless steel AISI 316

Finishing: natural

Example: blind threaded nut, cylindrical head,
round knurled shank, stainless steel 316,
grip 2,0 mm, M 6 thread:
TC M 6/KZ



SPECIALINSERT® COMMITS ITSELF TO CONTINUOUSLY IMPROVE ITS PRODUCTS. IT RESERVES THE RIGHT TO CHANGE THEIR TECHNICAL AND STRUCTURAL CHARACTERISTICS WITHOUT PRIOR NOTICE. ALL RIGHTS ARE RESERVED AND THE DUPLICATE, EVEN PARTIAL, OF THESE DOCUMENTS, AS WELL AS ITS DISTRIBUTION TO THIRD PARTIES, ARE FORBIDDEN, UNLESS OTHERWISE AND EXPRESSLY AUTHORIZED BY SPECIALINSERT.